

X Range of heights - 22U to 47U

X Range of depths - 600, 800, 1000mm

X Aesthetically pleasing

X Load carrying capacity 400kg

Features

- Range of heights - 22U to 47U
- Aesthetically pleasing
- Enhanced vertical patch cable management system
- Quick release doors and side panel
- 1U height marking on 19" mounting profiles
- Horizontal strength supporting bars (a cable tray can be fixed to these)
- Range of depths - 600, 800, 1000mm
- Load carrying capacity 400kg
- Aesthetically pleasing framed safety glass front door
- Swing lock handle on front door
- Adjustable front and rear 19" mounting profiles
- Open base for maximum cable access
- Available assembled or flat pack

Product Overview

The Excel 800 series is a range of 19" free standing cabinets designed for installation of both cabling and networking equipment. They are ideal for use across a range of applications including local area networking (LAN) cabling and hardware, plus the housing of security and AV equipment.

Each cabinet is designed with strength, ease of use and aesthetics in mind. Features such as incremental 1U marking on the mounting profiles, quick release doors and side panels, fully horizontally adjustable front and rear profiles and full access through the base of the cabinet make the product extremely flexible.

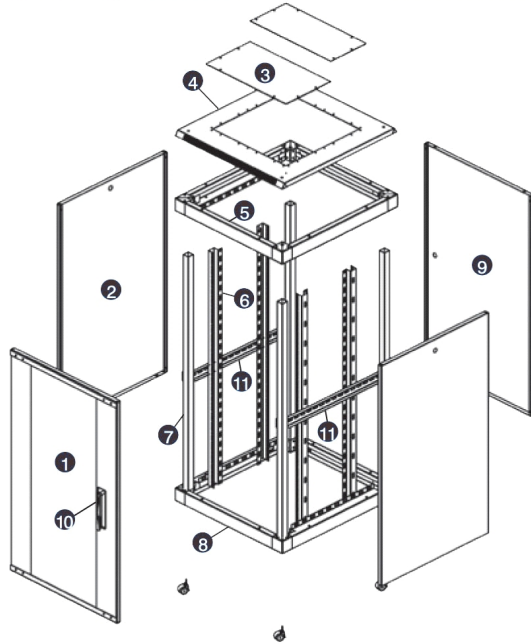
Vertical cable management provides full height channels adjacent to the front mounting profiles. Patch cables can be routed from the channel into patch panels or equipment through the frequently positioned access slots. To complete the aesthetically pleasing look, the channel - and all installed patch cables are covered with a hinged door plate, which is quickly and easily released via a slam latch lock.

The aesthetically pleasing design is completed with the use of a framed smoked safety glass front door fitted with a swing handle lock. Door hinging can be quickly and easily reversed left to right. The 800 series is available in 5 heights from 22U to 47U. In certain sizes a choice of 600, 800 and 1000mm depth options are available. Each cabinet is supplied as standard with lockable glass front door, metal rear door and lift off metal side panels. Two sets of steel adjustable 19" mounting profiles are fitted, and the roof can be fitted with fan trays and cable entry brush strips. To minimize the weight and size of the removable side panel the 800 and 1000mm deep cabinets are designed with a two piece side panel. The removable side panel is 595mm deep.

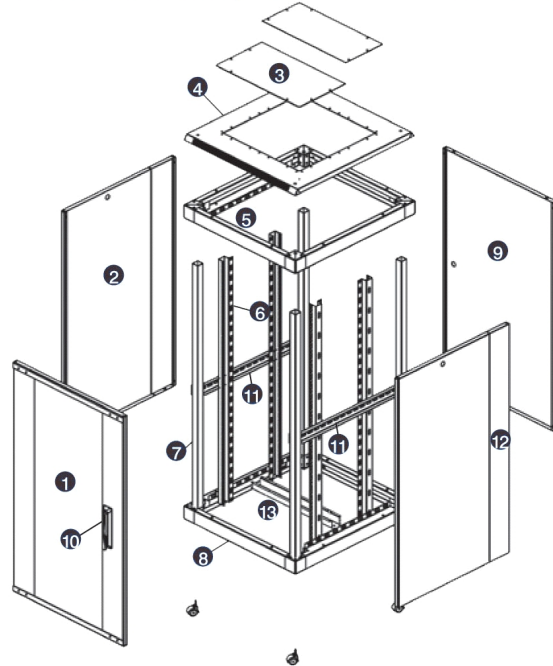
A full range of Excel accessories are available to complete cable or equipment installation from cable tray, plinth kits and shelving through to ventilation and power distribution units.

Exploded Views

600mm deep



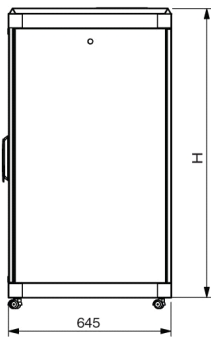
800mm & 1000mm deep



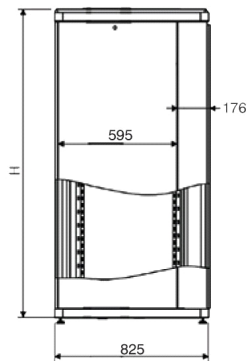
Sectional Views

Side View

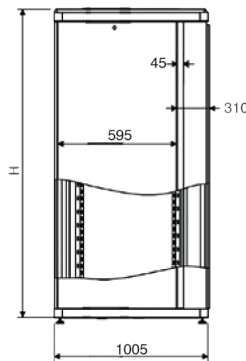
600mm deep



800mm deep



1000mm deep

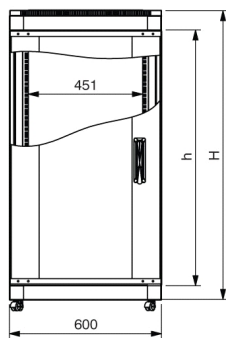


- ① Front door
- ② Side panel
- ③ Roof panel, removable entry plates
- ④ Roof panel
- ⑤ Upper frame
- ⑥ Mounting profile
- ⑦ Corner post
- ⑧ Lower frame
- ⑨ Rear door
- ⑩ Swing lock handle
- ⑪ Horizontal strength supporting bars
- ⑫ Side infill panel
- ⑬ Strength cross member (1000mm deep only)

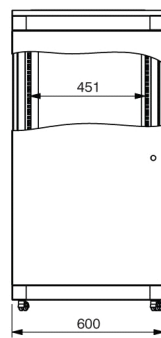
All dimensions are shown in mm

Front View

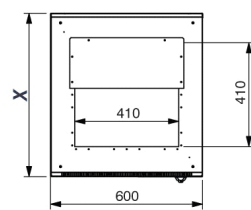
600mm, 800mm & 1000mm deep



Rear View



Plan View



600mm deep X = 645mm

800mm deep X = 825mm

1000mm deep X = 1005mm

19" Profile Spacing

The following table details the minimum and maximum spacing that can be achieved between the front and rear 19" Profiles.

Cabinet Width	Depth	Min Profile Spacing	Max Profile Spacing
800 mm	600 mm	390 mm	440 mm
800 mm	800 mm	575 mm	620 mm
800 mm	1000 mm	705 mm	800 mm

PP PP GHHS YHUVLRQV RQO\

Product Specification

Material Thickness

Upper and lower case	1.50mm
Top cover and fan entry plate	1.20mm
19" mounting angles	2.00mm
Vertical cable management	1.50mm
Rear door and side panels	1.20mm
Side extension panel*	1.00mm
Front door frame	1.50mm
Front door glass	4.00mm

Product Standard Compliance

Manufacturing facility	ISO 9001:2000
19" mounting angles	IEC 60297
Overall cabinet dimensions	IEC 60297
Load carrying capacity	400kg
Paint finish, grey cabinet	RAL 7035
Paint finish, black cabinet	RAL 9005
Colour, front door blue trim	RAL 5013
Glass door, safety specification	BS3193:1993
Surface treatment	Phosphate Coating

Part Numbers - Grey Cabinets

U Size	Width (mm)	Overall Height (mm)	Depth (mm)	Part Number - Assembled	Part Number - Flat Pack
800 Series					
22U	800	1149	600	540-247	540-247-FP
22U	800	1149	800	540-249	540-249-FP
27U	800	1326	600	540-250	540-250-FP
27U	800	1326	800	540-255	540-255-FP
27U	800	1326	1000	540-256	540-256-FP
39U	800	1904	600	540-260	540-260-FP
39U	800	1904	800	540-270	540-270-FP
39U	800	1904	1000	540-272	540-272-FP
42U	800	2038	600	540-275	540-275-FP
42U	800	2038	800	540-280	540-280-FP
42U	800	2038	1000	540-281	540-281-FP
47U	800	2260	600	540-285	540-285-FP
47U	800	2260	800	540-290	540-290-FP
47U	800	2260	1000	540-282	540-282-FP

Part Numbers - Black Cabinets

U Size	Width (mm)	Overall Height (mm)	Depth (mm)	Part Number - Assembled	Part Number - Flat Pack
800 Series					
22U	800	1149	600	540-247-BK	
27U	800	1326	800	540-255-BK	540-255-BK-FP
42U	800	2038	600	540-275-BK	540-275-BK-FP
42U	800	2038	800	540-280-BK	540-280-BK-FP
42U	800	2038	1000	540-281-BK	540-281-BK-FP
47U	800	2260	800	540-290-BK	540-290-BK-FP
47U	800	2260	1000	540-282-BK	540-282-BK-FP

1RWH)RU RYHUDOO KHLJKW ZKHQ XVLQJ) RMD RNHQJ DPH WHS OIKW VZK B G GX V LQPJ RFD RYHUDOO KHLJKW ZKHQ XVLQJ SOLQWK SOHDVH DGG PP DSSUR[LPDWHO\ 7KH ([FHO UDQJH RI IORRU VWDQGLQD EOH E LQHW P R VZ DOW RRS W L R Q R V D G H U D Q J H R R P R X Q W H G F D E L Q H W V

System Warranty

The Excel System Warranty provides a 25-year product and applications assurance of compliance with the industry performance standard appropriate to the class of cabling installed. The warranty may be applied for by an accredited Excel Partner who has designed, supplied and installed the said system.

Excel is a world-class premium performing end-to-end infrastructure solution - designed, manufactured, supported and delivered - without compromise.

Contact us at sales@excel-networking.com